



Terminations

DC - 1.5 GHz					
Model Number	Material			Power Rating (W)	RF Connector
	Body	Connector	Contact		
TER-N50F-900036	Aluminium	Stainless Steel	Gold Plated	150 W	50 ohm, Female N-Type
DC - 3 GHz					
Model Number	Material			Power Rating (W)	RF Connector
	Body	Connector	Contact		
TER-F75M-985001	Nickel plated	Nickel plated	Copper wire lead with matte tin plating	0.25 W	75 ohm, Male F-Type
DC - 4 GHz					
Model Number	Material			Power Rating (W)	RF Connector
	Body	Connector	Contact		
TER-B50M-9803	Brass	Brass	Brass with gold plating	1 W	50 ohm, Male BNC
WA1423-4	Aluminium	Passivated stainless steel	Gold plated beryllium copper or stainless steel	50 W	50 ohm, Male N-Type
DC - 6 GHz					
Model Number	Material			Power Rating (W)	RF Connector
	Body	Connector	Contact		
TER-S50F-900021	Aluminium	Passivated stainless steel	Gold plated beryllium copper	5 W	50 ohm, Female SMA
TER-S50M-900024	Aluminium	Passivated stainless steel	Gold plated beryllium copper	5 W	50 ohm, Male SMA
TER-N50F-900157	Aluminium	Passivated stainless steel	Gold plated beryllium copper	5 W	50 ohm, Female N-Type
TER-S50M-900023	Aluminium	Passivated stainless steel	Gold plated beryllium copper	10 W	50 ohm, Male SMA
TER-N50M-9854	Aluminium	Brass	Brass with gold plating	100 W	50 ohm, Male N-Type
DC - 8 GHz					
Model Number	Material			Power Rating (W)	RF Connector
	Body	Connector	Contact		
TER-N50M-985002	Aluminium	Passivated stainless steel	Gold plated beryllium copper	50 W	50 ohm, Male N-Type
TER-N50F-985002	Aluminium	Passivated stainless steel	Gold plated beryllium copper		50 ohm, Female N-Type

Broadcast



Marine Oil & Gas



SNG & VSAT



Satellite Teleport





Terminations

DC - 11 GHz					
Model Number	Material			Power Rating (W)	RF Connector
	Body	Connector	Contact		
JP300024	Brass, nickel plated	Brass, nickel plated	Brass, gold plated	0.5 W	50 ohm, Female N-Type
TER-N50M-9823	Brass	Brass	Brass	1 W	50 ohm, Male N-Type
DC - 12 GHz					
Model Number	Material			Power Rating (W)	RF Connector
	Body	Connector	Contact		
TER-B75M-9825	Brass, nickel plated	Brass, nickel plated	Brass, gold plated	0.25	75 ohm, Male BNC
DC - 18 GHz					
Model Number	Material			Power Rating (W)	RF Connector
	Body	Connector	Contact		
TER-S50F-900002	Passivated Stainless Steel	Passivated Stainless Steel	Gold plated beryllium copper	1 W	50 ohm, Female SMA
TER-N50M-9850	Tri-Metal Plated Brass	Tri-Metal Plated Brass	Brass, gold plated	2 W	50 ohm, Male N-Type
TER-S50M-9802	Brass, gold plated	Brass, gold plated	Brass, gold plated	2 W	50 ohm, Male SMA
TER-S50F-900123	Passivated Stainless Steel	Passivated Stainless Steel	Gold plated beryllium copper	2 W	50 ohm, Female SMA
TER-N50F-900155	Aluminium	Passivated stainless steel	Gold plated beryllium copper	5 W	50 ohm, Female N-Type
TER-N50M-900155	Aluminium	Passivated stainless steel	Gold plated beryllium copper	5 W	50 ohm, Male SMA
TER-S50M-900028	Aluminium	Passivated stainless steel	Gold plated beryllium copper	5 W	50 ohm, Male SMA
TER-S50F-900026	Aluminium	Passivated stainless steel	Gold plated beryllium copper	5 W	50 ohm, Female SMA
TER-S50M-900027	Aluminium	Passivated stainless steel	Gold plated beryllium copper	10 W	50 ohm, Male SMA
TER-S50F-900025	Aluminium	Passivated stainless steel	Gold plated beryllium copper	10 W	50 ohm, Female SMA
DC - 26.5 GHz					
Model Number	Material			Power Rating (W)	RF Connector
	Body	Connector	Contact		
TER-S50M-9843	Passivated stainless steel	Passivated stainless steel	Brass, gold plated	1 W	50 ohm, Male SMA
TER-G50M-900113	Passivated stainless steel	Passivated stainless steel	Gold plated beryllium copper	2 W	50 ohm, Male 3.5mm

Broadcast



Marine Oil & Gas



SNG & VSAT



Satellite Teleport



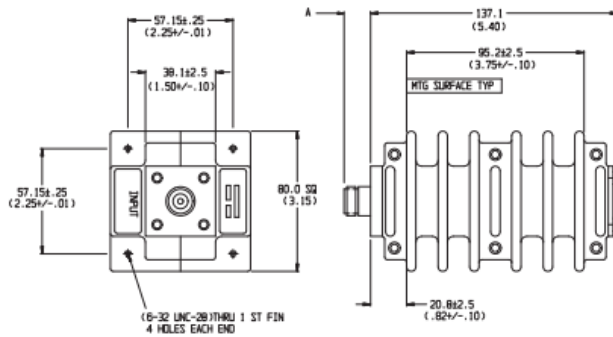


Terminations

TER-G50F-900114	Passivated stainless steel	Passivated stainless steel	Gold plated beryllium copper	2 W	50 ohm, Female 3.5mm
DC - 40 GHz					
Model Number	Material			Power Rating (W)	RF Connector
	Body	Connector	Contact		
TER-K50M-9853	Aluminium	Brass gold plated or stainless steel	Brass Gold Plated	2 W	50 ohm, Male 2.92mm
TER-K50F-900112	Aluminium	Stainless steel	Gold Plated Beryllium Copper	2 W	50 ohm, Female 2.92mm

Examples:

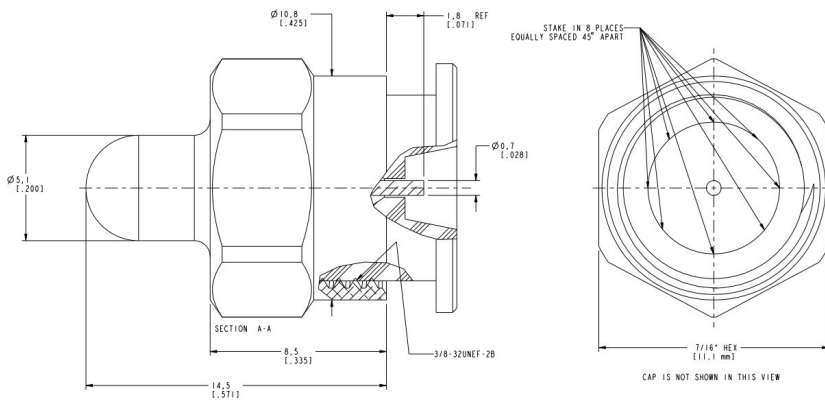
TER-N50F-900036 Dimensions



TER-N50F-900036



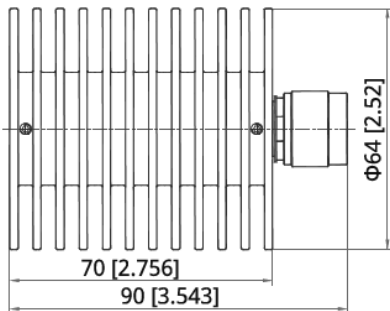
TER-F75M-985001 Dimensions



TER-F75M-985001



TER-N50M-985002 Dimensions



TER-B50M-9803



Broadcast



Marine Oil & Gas



SNG & VSAT



Satellite Teleport

